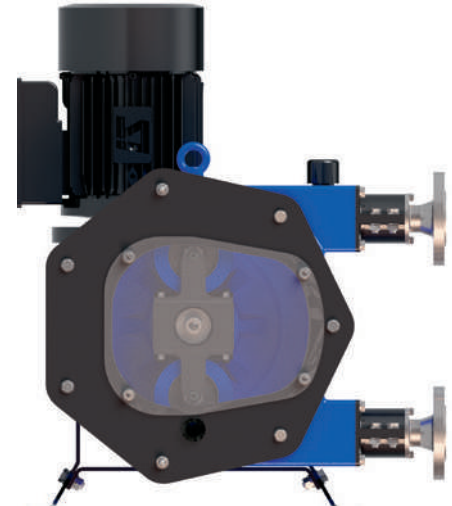


# PERIBEST I28 DATASHEET

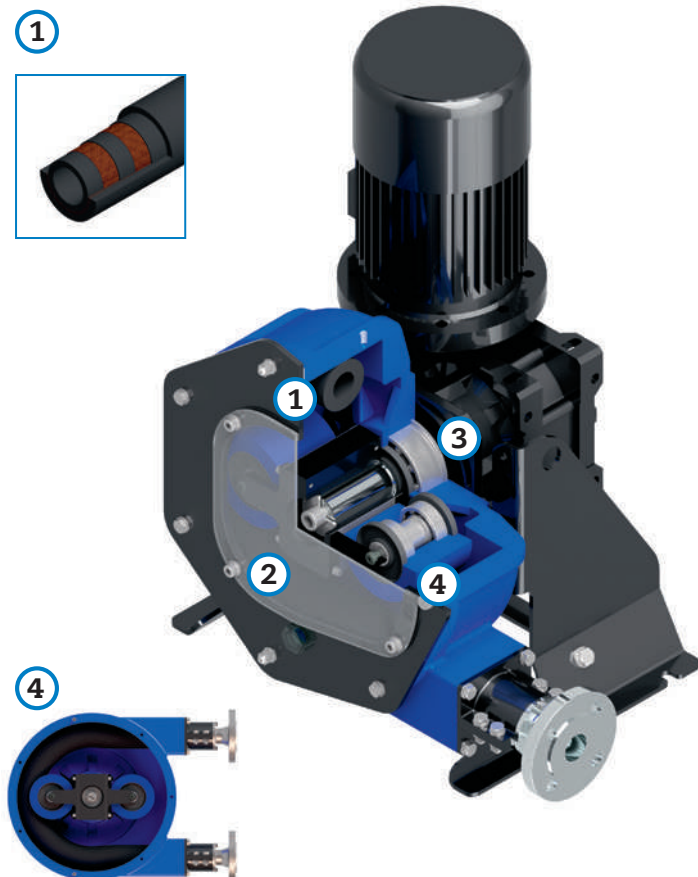
PERIBEST  
pumps



TECHNICAL SPECIFICATIONS	MODEL I28
Max. Flow (continuous)	1900 l/h
Capacity	0,47 l/rev
Max. Discharge Pressure	10 bar
Max. Temperature	80 °C
Inner Diameter	28 mm.
Hose material	NR, EPDM, & NBR (Food Grade)
Connections material	AISI-316, PP, PVDF (PTFE)
Pump casing material	Cast Iron (powder coated)
Rollers material	Hard aluminium (Anodized)



## MAIN FEATURES AND BENEFITS



### 1 LATEST TECHNOLOGY PERISTALTIC HOSE.

SAVING ON HOSE CONSUMPTION AND EASE OF INSTALLATION DOWNTIME OPTIMISATION.

### 2 EASE OF ASSEMBLY, OPERATION AND MAINTENANCE.

SAVING ON MAINTENANCE COSTS AND EASE OF ASSEMBLY. LESS DOWNTIME.

### 3 EXTREMELY HEAVY DUTY DESIGN FOR THE MOST DEMANDING APPLICATIONS UP TO 10 BAR.

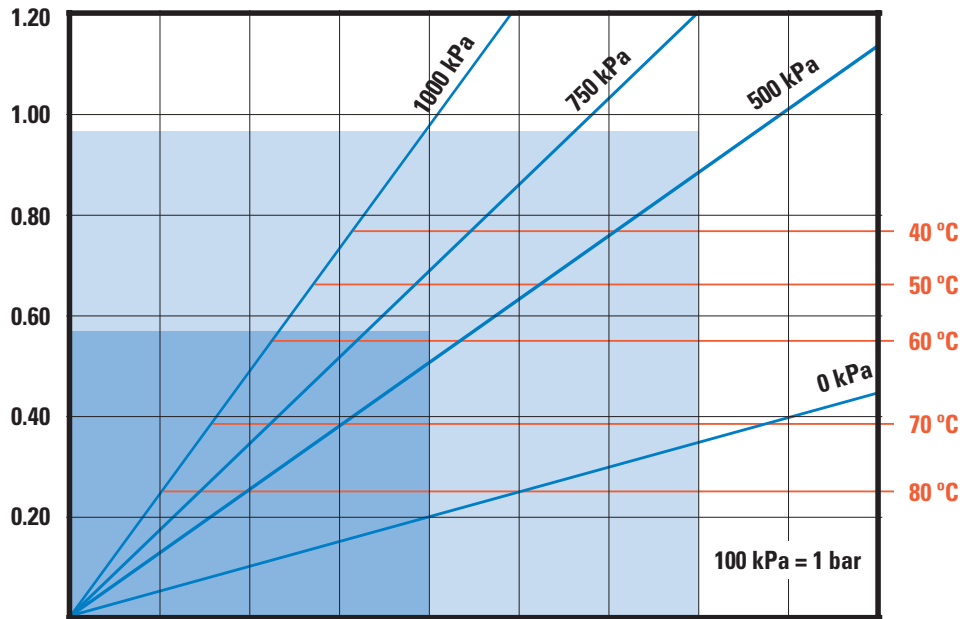
UNMATCHED PUMP LIFE AND EXCELLENT EQUIPMENT PERFORMANCE UNDER ANY OPERATING CONDITIONS HOWEVER DEMANDING.

### 4 XXL ROLLER TECHNOLOGY.

MAJOR ENERGY SAVINGS, HIGHER NUMBER OF HOSE WORKING HOURS AND EASE OF OPERATION.

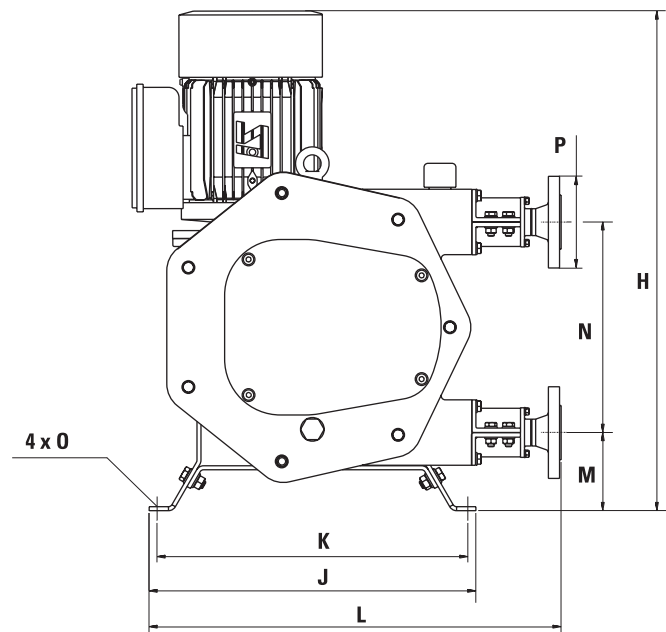
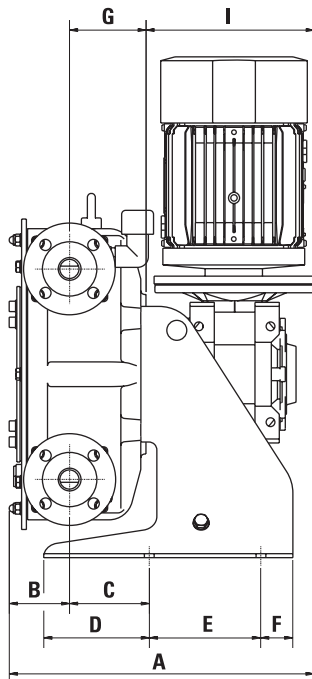
REQUIRED  
MOTOR POWER (KW)

PRODUCT  
TEMPERATURE (°C)



PUMP SPEED (RPM)	10	20	30	40	50	60	70	80	90
CAPACITY (L/H)	282	564	846	1128	1410	1692	1974	2256	2538

<b>PRESSURE (kPa)</b>	0 kPa	500 kPa	750 kPa	1000 kPa
<b>TORQUE (Nm)</b>	50	125	165	225



MODEL	A*	B	C	D	E	F	G	H	I*	J	K	L	M	N	O	P
I28	382,3	75,6	100	132,3	140	40	96	627	211	410	390	517	98	264	12	DN-25

\*Depending on the driver, dimensions could change.